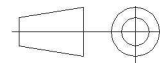
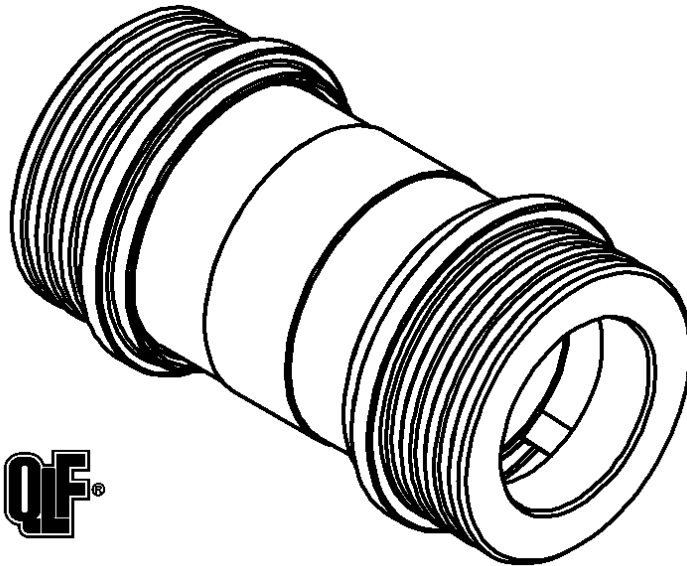
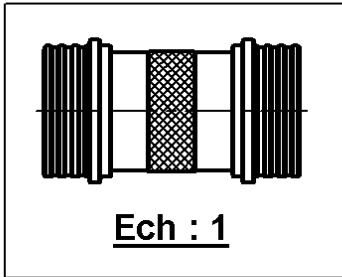
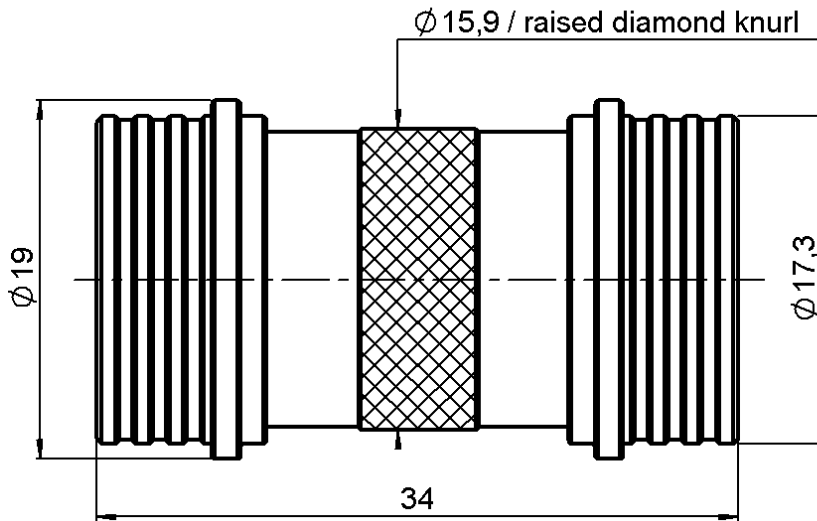


QN MALE - QN MALE ADAPTER

R164.703.000

Series : QN



All dimensions are in mm.

| COMPONENTS | MATERIALS | PLATINGS (µm) |
|----------------|------------------|-------------------------------------|
| BODY | BRASS | BBR 0.5 OVER SILVER 3 |
| CENTER CONTACT | BRASS | SILVER 5 PASSIVATED OVER COPPER 0.5 |
| OUTER CONTACT | BERYLLIUM COPPER | GOLD 0.3 OVER CHEMICAL NICKEL |
| INSULATOR | PTFE | |
| GASKET | EPDM | |
| OTHERS PARTS | BRASS | BBR 2 |
| - | - | - |
| - | - | - |

Issue : 0420 C

In the effort to improve our products, we reserve the right to make changes judged to be necessary.



QN MALE - QN MALE ADAPTER

R164.703.000

Series : QN

PACKAGING

SPECIFICATION

| Standard | Unit | Other |
|-----------|-------------------|-------------------|
| 50 | 'W' option | Contact us |

ELECTRICAL CHARACTERISTICS

ENVIRONMENTAL

| | | |
|---------------------------------|---------------|-------------------------------|
| Impedance | | 50 Ω |
| Frequency | | 0-6* GHz |
| VSWR | 1.05 + | 0.025 x F(GHz) Maxi |
| Insertion loss | | 0.048 √F(GHz) dB Maxi |
| RF leakage | - (| **90 - F(GHz)) dB Maxi |
| Voltage rating | | 1400 Veff Maxi |
| Dielectric withstanding voltage | | 2500 Veff mini |
| Insulation resistance | | 5000 MΩ mini |

| | |
|-----------------------|---------------------|
| Operating temperature | -55/+125 ° C |
| Hermetic seal | NA Atm.cm3/s |
| Panel leakage | NA |

OTHERS CHARACTERISTICS

Assembly instruction

Others :

*Usable 0-11GHz

**RF Leakage : -80dB min 3<F<6

***PIM / -112dbm (2 X 20W at 1.8GHz)

MECHANICAL CHARACTERISTICS

| | | |
|----------------------------|---------------|-------------|
| Center contact retention | | |
| Axial force – Mating end | 27 | N mini |
| Axial force – Opposite end | 27 | N mini |
| Torque | 2.8 | N.cm mini |
| Recommended torque | | |
| Mating | 0 | N.cm |
| Panel nut | 0 | N.cm |
| Mating life | 100 | Cycles mini |
| Weight | 30.600 | g |

Issue : 0420 C

In the effort to improve our products, we reserve the right to make changes judged to be necessary.

